

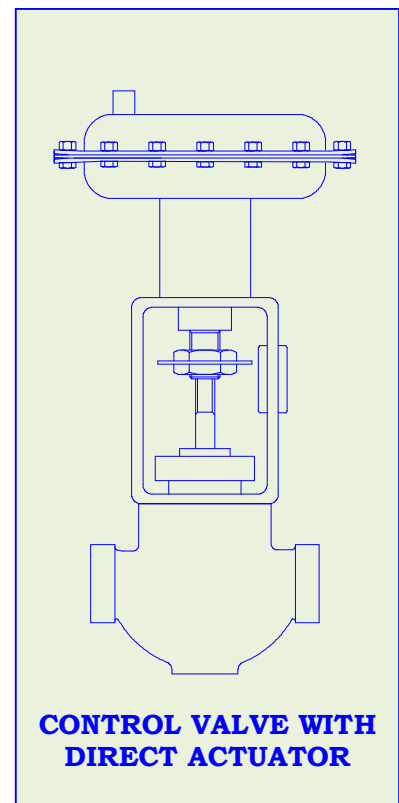
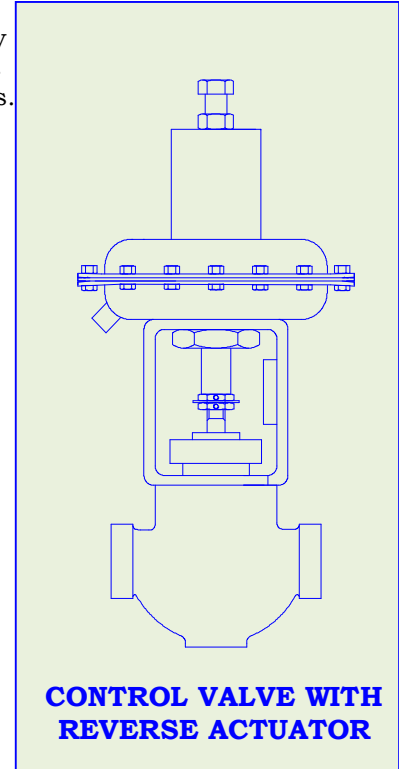
LOW FLOW CONTROL VALVES (SERIES - 119)

INTRODUCTION

Low flow control valve is designed for modulating control of liquid and gases in general duty industrial application where performance, quality and small physical size are important. The basic design offers features and performance levels normally found in more expensive, larger valves.

SPECIFICATIONS

DESIGN	: ASME B16-34
VALVE SIZE	: 06 to 15 mm (1/4" to 1/2")
RATING	: ANSI 150.
END CONNECTION	: Screwed - BSP / NPT or Socket weld,
BODY MATERIALS	: Stainless Steel
PLUG, SEAT RING	: Stainless Steel.
GLAND PACKING	: PTFE/Grafoil.
BONNET	: Standard.
TRIM DESIGNS	: Top Guided Contoured, Splined Micro Flow.
CHARACTERISTICS	: Equal Percentage, Linear and On-Off.
SEAT LEAKAGE	: Class IV, V & VI As per FCI-70.02 (ANSI B 16.104)
ACTUATOR TYPE	: Diaphragm, Cylinder.
ACTUATOR ACTION	: Direct / Reverse Acting.
DIAPHRAGM	: Nitrile / Neoprene.
SPRING RANGES	: 3 – 15 PSIG (0.2 – 1.0 Kg/cm ²) : 6 – 30 PSIG (0.4 – 2.0 Kg/cm ²)
AIR SUPPLY	: 20 – 35 PSIG (1.4 – 2.5 Kg/cm ²)
AIR CONNECTION	: 1/ 4" NPT
ACCESSORIES OPTIONAL	: Valve Positioner – Pneumatic, Electro Pneumatic, Smart Positioner, Airset, Solenoid Valve, Air Lock, Volume Booster, Position, Transmitter, Limit – Proximity Switches etc.



BUILT IN RELIABILITY

DESIGN FEATURES

- >> Solid stem connection.
- >> Suitable for low flow and corrosive atmospheres.
- >> Available without positioner for fail open or fail close application.
- >> Corrosion resistance actuator available as an option.
- >> Investment cast stainless steel body in ¼” and ½” size.
- >> Wide flow capacity range. Cv ranges from 0.13 to 5.

QUALITY AND PERFORMANCE GUARANTEE

- >> Produced with Quality Systems accredited to ISO 9001: 2008 by Bureau Veritas.
- >> Full material certification available for all major component Parts.
- >> Full guarantee on design and Performance.
- >> All testing performed to the requirements of ANSI B16.34.

Cv VALUES

Trim Size	No. E	No. D	No. C	No. B	No. A	1/16	1/8	3/16	1/4	3/8	1/2
Cv	0.15	030	0.45	0.60	0.75	0.40	0.63	1.20	2.00	3.20	5.00

The Company’s policy is one of continuous product improvement and the right is reserved to modify the specifications contained herein without notice.



Plot No: A-35, Road No. 10, Wagle Industrial Estate,
Thane – 400 604, India.

Phone: +9122 2583 8371, 2583 8372, Fax: +9122 2583 8373
E-Mail: info@pneuconvalves.com Web: www.pneuconvalves.com

BUILT IN RELIABILITY

