

PFA LINED WAFER TYPE BUTTERFLY VALVE WITH SCOTCH ACTUATOR (SERIES 260)

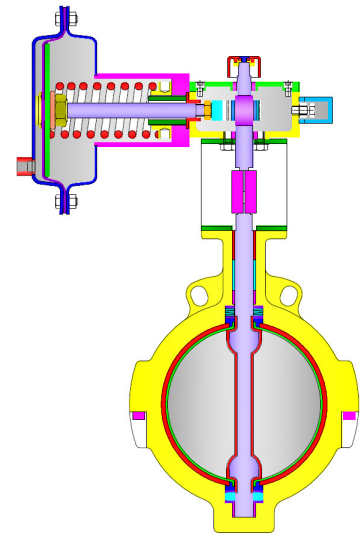
INTRODUCTION

This Butterfly Valve is lined with PTFE / PFA material at all the surface contact areas for resistance against high corrosive media attacks. The seal on seam of the disc automatically closes.

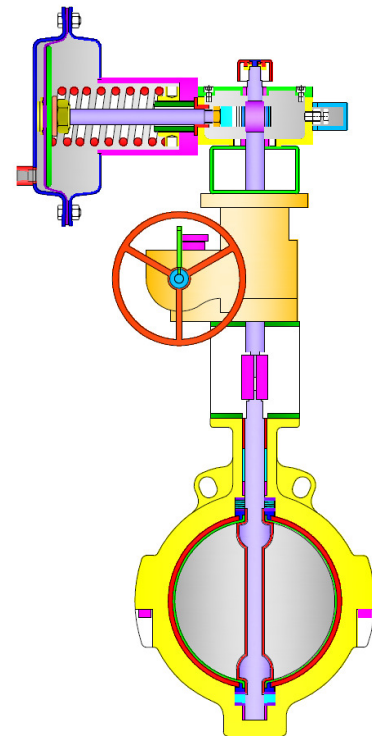
The PTFE Butterfly Valve is a light weight, lower cost, heavy duty & maintenance free solution to high pressure application and suitable for flow control of Acids, Alkaline, Caustic, Chlorine & highly corrosive fluids.

SPECIFICATIONS

DESIGN STANDARD	: BS EN 593:2004 (Formerly BS 5155)
DRILLING	: ANSI B16.5 / DIN PN10 / 16
FACE TO FACE	: API 609 / DIN 3202 K1 / BS 5155 / ISO 5752 / BS EN 558-1/2
MEDIA TEMPERATURE	: -20°C to 180°C
LINING THICKNESS	: 3 to 5 mm.
TESTING STANDARD	: BS EN 12266-1&2 (2003)
PNEUMATIC TEST	: 3.5 Kg/Cm ²
SPARK TEST	: 15 K.V.D.C
DESIGN	: Wafer
BODY TYPE	: PFA LINED
VALVE SIZE	: 50 to 400 mm (2" to 16")
RATING	: ANSI 150#
BODY / DISC MATERIAL	: CS / CF8(S.S.304 / CF8M (S.S 316).
LINING MATERIAL	: PTFE, PFA, FEP, ETFE & PVDF
OPTIONAL DESIGN	: Antistatic Clip, Gear Box / Actuator, Unlined Disc - ASTM A351 Gr.CF8 / CF3M, Extended Stem Design & Lug Type Design.
CHARACTERISTIC	: Throttling / On-Off .
ACTUATOR TYPE	: Scotch
DIAPHRAGM	: Nitrile / Neoprene
SPRING RANGE	: 3 – 15 Psig (0.2 – 1.0 Kg/cm ²) : 6 – 30 Psig (0.4 – 2.0 Kg/cm ²)
AIR SUPPLY	: 20-35 Psig (1.4-2.5 Kg/Cm ²)
AIR CONNECTION	: 1/ 4" NPT.
ACCESSORIES	: Valve Positioner-Pneumatic, Electro Pneumatic & Smart. Airset, Solenoid Valve, Position Transmitter, Limit & Proximity Switches with Enclosure etc. Top or Side Mounted handwheel.



PFA LINED BUTTERFLY VALVE WITH SCOTCH ACTUATOR



PFA LINED BUTTERFLY VALVE WITH SCOTCH ACTUATOR AND MOR

BUILT IN RELIABILITY

DESIGN FEATURES

- Maintenance Free High Performance Design.
- Bubble tight closer provides process efficiency
- Dynamic Live Loaded Seal Design give super safe operation.
- Intact Performance in severe conditions of corrosion, abrasion and temperature fluctuation.
- Compact & simple design, low cost and maintenance free.
- Very high Cv to body size ratio.
- Reliable smooth operation and flow control with assured product quality.
- Bubble tight shut off, leakage Class – VI.
- Rangeability of 33:1 in the control range.
- Flow characteristic throttling for modulating duty.
- Choice of Replaceable Linear/Moulded Lining.

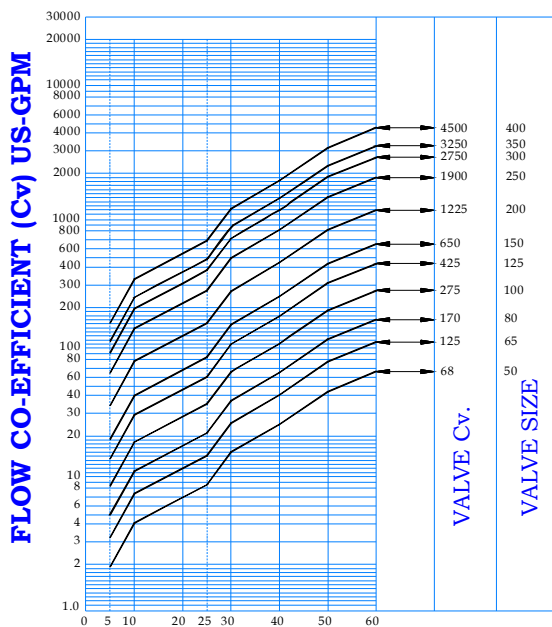
QUALITY AND PERFORMANCE GUARANTEE

- Produced with Quality Systems accredited to ISO 9001: 2008 by Bureau Veritas.
- Full material certification available for all major component Parts.
- Full guarantee on design and Performance.
- All testing are performed to the requirements of ANSI B16.34.

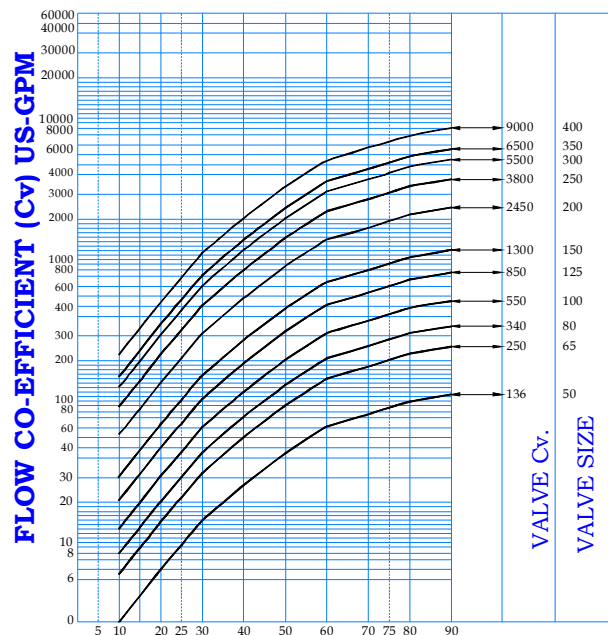
VALVE SIZING CO-EFFICIENT Cv RATING (Series 260)

SIZE (mm)	50	65	80	100	125	150	200	250	300	350	400
Cv AT FULL BORE 60°	68	125	170	275	425	650	1225	1900	2750	3250	4500
90°	136	250	340	550	850	1300	2450	3800	5500	6500	9000

DEGREE OF OPENING Vs FLOW CO-EFFICIENT

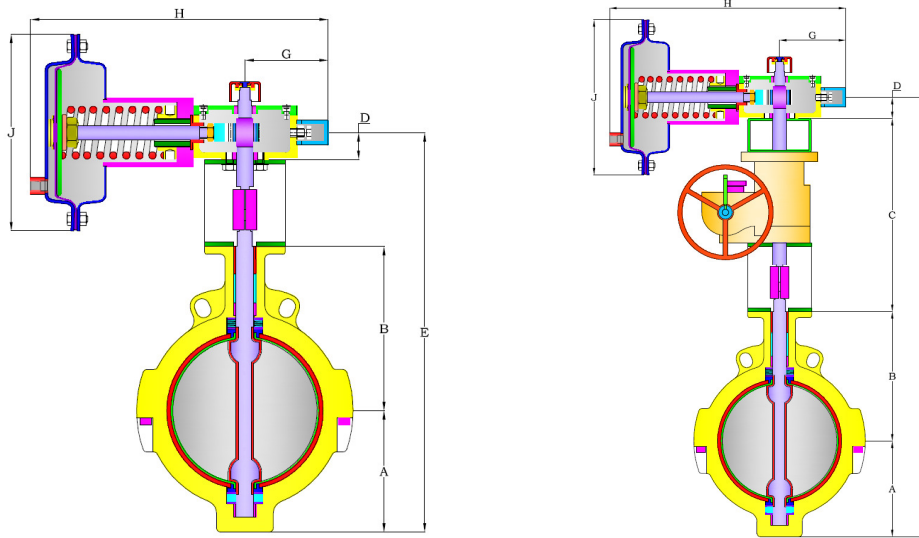


VALVE OPENING-60°



VALVE OPENING-90°

BUILT IN RELIABILITY



*** DIMENSION OF PFA LINED BUTTERFLY VALVE (SERIES-260)**

VALVE SIZE	ACTUATOR MODEL	MOR	F / F	A	B	C	D	E	F	G	H	J
2"	PDS-030	100	43	67	100	205	30	297	462	95	333	220
2.1/2"	PDS-030	100	46	65	115	205	30	310	475	95	333	220
3"	PDS-030	100	46	80	120	205	30	330	495	95	333	220
4"	PDS-055	450	52	95	158	250	32	410	595	108	439	288
6"	PDS-055	450	58	120	190	250	32	467	652	108	439	288
8"	PDS-095	450	64	162	220	250	32	539	724	108	471	371
10"	PDS-140	450	70	200	250	275	45	645	830	175	672	443
12"	PDS-140	450	80	232	270	275	45	697	882	175	672	443
14"	PMS-140	750	92	255	300	275	45	750	935	175	767	443
16"	PMS-140	1000	102	290	300	275	45	785	970	175	767	443

The Company's policy is one of continuous product improvement and the right is reserved to modify the specifications contained herein without notice.



PNEUCON VALVES PVT LTD

Plot No: A-35, Road No. 10, Wagle Industrial Estate,
 Thane – 400 604, India.
 Phone: +9122 2583 8371 / 72, Fax : +9122 2583 8373
 E-Mail: sales@pneuconvalves.com
 Web: www. pneuconvalves.com

BUILT IN RELIABILITY

Designed By: R.R.C

